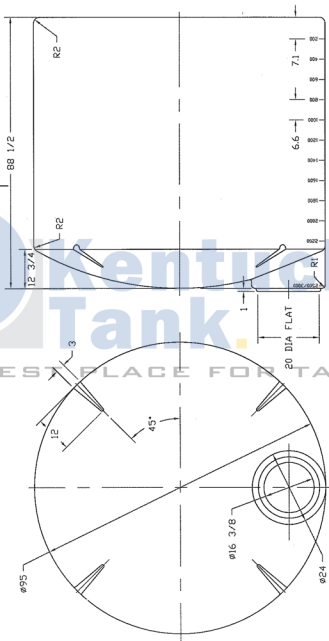


THE BEST PLACE FOR TANKS

REV		DESCRIPTION	DATE	APPROVED
ENCL	C	REDRAWN	1MAY96	



		ST. BONIFACIUS, MN <b>2500 GALLON VERTICAL STORAGE TANK</b>		SHEET NO. <b>C</b>
JTP 1MAY96	B	DATE FROM NO.	SHEET NO.	SHEET 1/16