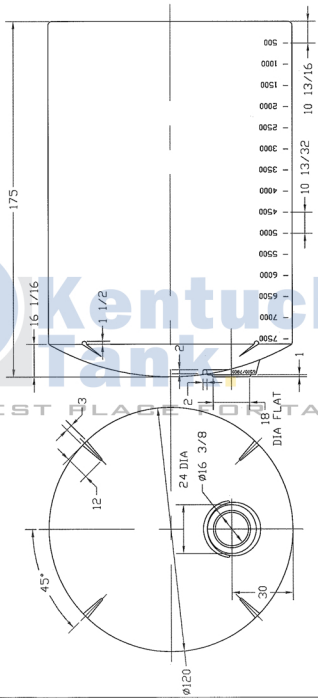


REV		DESCRIPTION		DATE		APPROVED	
ZONE	REV	DESCRIPTION	DATE	APPROVED			



NORWESCO ST. BONIFACIUS, MN		7800 GALLON VERTICAL TANK	
DATE	ISSUE NO.	DATE	REV
JTP	19AUG94	B	
SHEET 1/24		SHEET	